



Extra-Wide Receptacle Faceplate



Pivoting Faceplate Assembly



Easy-Access Terminals



ANCHORAGE SS

Power Outlet Panel Model AN3050

The "Anchorage SS" is a utilitarian-grade surface mount power outlet panel designed for commercial or industrial marinas and boatyards. The defining feature of this unit is its integral 100-Amp 120/240V ringless or ring-type utility meter socket for use with utility-style glass kWh meters.



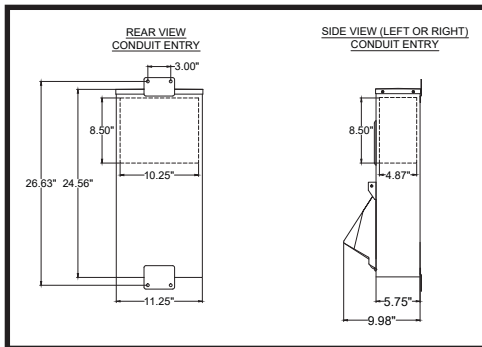
STANDARD DIMENSIONS: 24.56"H 11.25"W 9.98"D

STANDARD FEATURES

- Intertek-ETL Listed, tested in accordance with Underwriters Laboratories-231 standards, CAN/CSA Standard C22.2 No.29 and NFPA 303.
- Rugged, long-lasting 16-gauge 316L stainless steel NEMA 3RX main housing.
- Limited 1-Year Warranty.
- Extra-wide receptacle faceplate for easier plug-in.
- Highest quality receptacles and circuit breakers.
- Patented pivoting faceplate assembly, which simplifies installation and field-maintenance tasks such as replacing circuit breakers and receptacles.
- 100-Amp rated 4-jaw ring-type or ringless-type utility meter socket & seal for glass-type kWh meter (single feed only - loop-feed not available).
- Lockable polycarbonate weatherproof door which shields the receptacles and circuit breakers from the elements while in use (as required by NFPA 303 and NEC Article 555).

OPTIONAL FEATURES

- Receptacle Options:
 - 20A, 125V Duplex GFCI.
 - * 20A, 125V L5-20R Twist-Lock Shorepower.
 - * 30A, 125V L5-30R Twist-Lock Shorepower.
 - * 50A, 125V SS-1 Twist-Lock Shorepower.
 - * 50A, 125/250V SS-2 Twist-Lock Shorepower.
- Interlocking circuit breakers, ground fault circuit breakers.



Anchorage SS Mounting & Cable Entry Details



Receptacles and breakers under lockable, weatherproof door



Stainless steel wall mounting brackets

Removable access covers for easy installation

Ring-type or ringless meter socket - 4, 5, and 7-JAW models available

316 stainless steel housing

Receptacles and circuit breakers under lockable, weatherproof, in-use door

OTHER STANDARD FEATURES:

Pivoting faceplate technology for easy maintenance