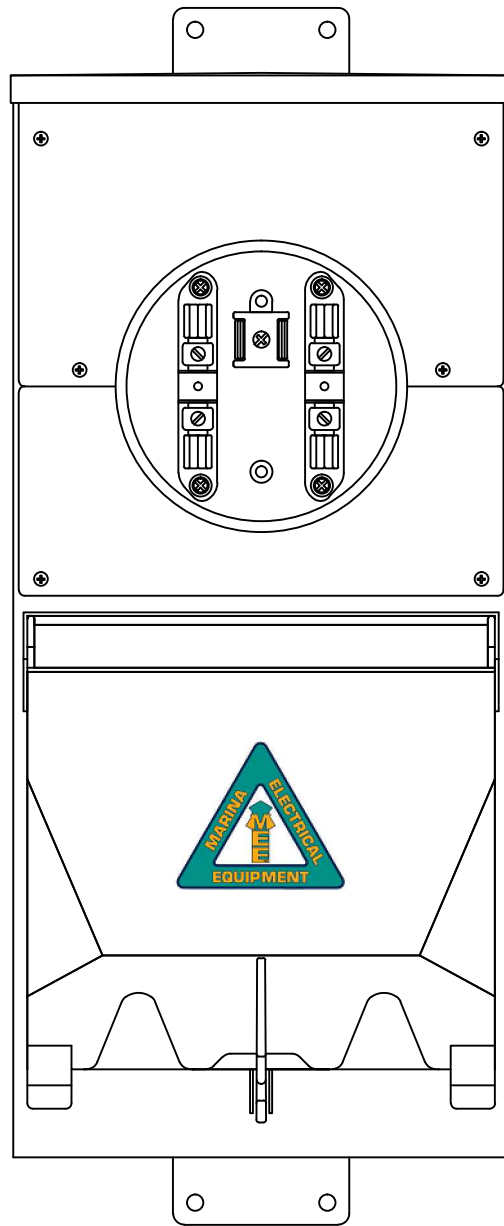


# Anchorage SS Center Model AN3050

## Installation, Maintenance, and Operation Manual



Marina Electrical Equipment, Inc.  
1715 Merrimac Trail  
Williamsburg, VA 23185  
Toll Free: 1-855-258-3939  
Fax: 1-757-258-3988



**Intertek**

4005786

CONFORMS TO STD. ANSI/UL231  
CERT. TO CAN/CSA STAD.C22.2  
NO 29

# Anchorage SS AN3050

## Installation, Maintenance, and Operation Manual

### INTRODUCTION:

### PRODUCT DESCRIPTION:

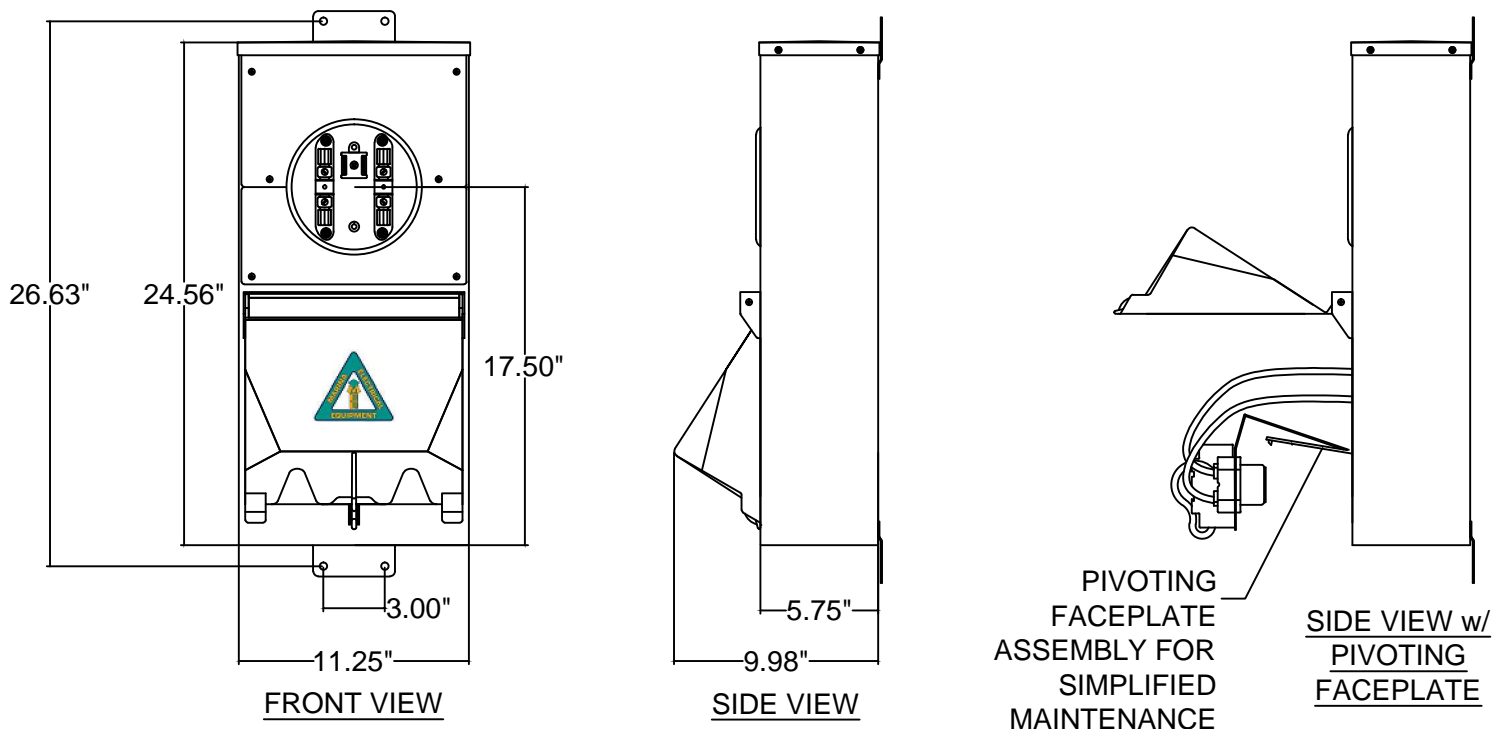
The power outlet shall be listed and marked, tested and certified to conform to Standard ANSI/UL® 231 entitled "Power Outlets" and CAN/CSA Standard C22.2 No. 29 entitled "Panelboards and Enclosed Panelboards." It is designed as a rainproof NEMA type 3R enclosure for outdoor locations such as marinas, and boatyards where power is required to operate portable, mobile, or temporarily installed equipment to supply shore power to vessels.

Power outlet may contain NEMA and / or IEC receptacles, circuit breakers, fuses, and watt-hour monitors for submetering electricity.

**WARNING:** Disconnect power before servicing. Marina Electrical Equipment, Inc. recommends that only qualified personnel or an electrician, familiar with the operation of this power outlet equipment, should install or service this power outlet. This product must be installed in accordance with the National Electrical Code (NEC) or the Canadian Standards Association (CSA) and any other applicable local codes. Before installing equipment, check with your local electrical inspector for specific requirements and information for your area.

**NOTE: ELECTRICAL CONNECTIONS PER NEC 555.9 - All electrical connections shall be located at least 12 inches above the deck of a floating pier, but not below the electrical datum plane. Minimum recommended mounting height for this power outlet should not be less than 48" above the deck or floating pier.**

**CAUTION:** Marina Electrical Equipment, Inc. will not assume any responsibility for property damage or personal injury resulting from misuse of the information in this manual.



# Anchorage SS AN3050

## Installation, Maintenance, and Operation Manual

### INSTALLATION:

#### **Step 1: Mounting the “Anchorage SS”:**

Upon unpacking, remove the screws fastening the breaker and receptacle faceplate under the door of the unit and pivot the entire assembly outward. This will allow for easy access to the back of the unit to pre-drill holes for the incoming wires (see figure below). Use the four (4) 3/8” diameter holes on the mounting flanges for mounting the unit (see figure below).

#### **Step 2: Connecting the Power Lines to the Terminal Block:**

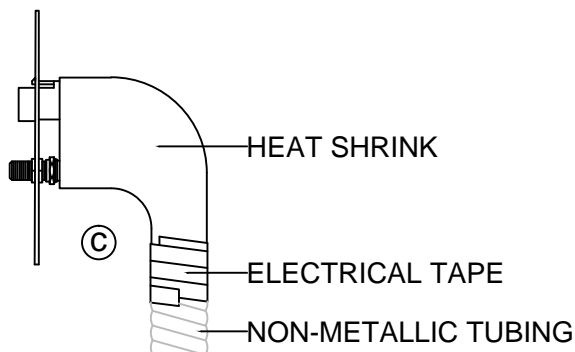
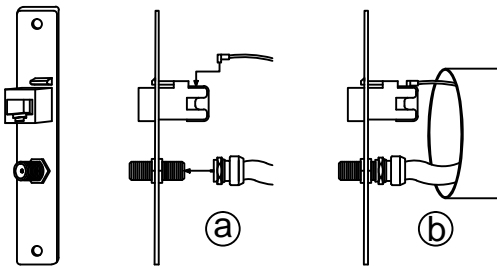
- a. After mounting, remove the screws fastening the meter access cover at the top of the unit. This will expose the meter socket terminations within the housing interior.
- b. Connect the incoming wires to the meter socket terminations (see figure).

#### **Step 3: Phone (RJ-11), Cable TV (F), Ethernet (RJ-45) Connections:**

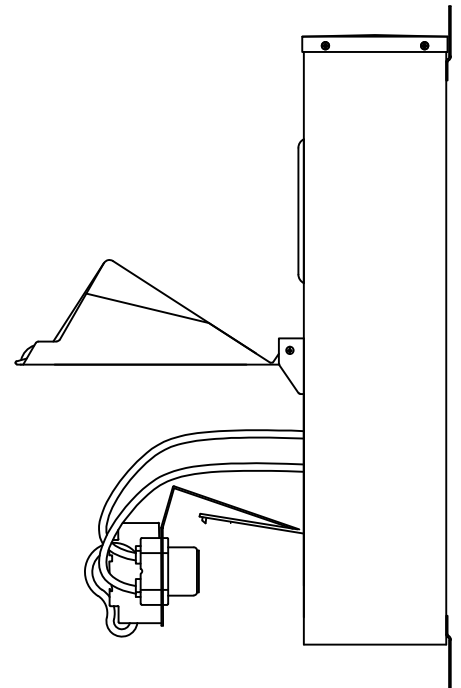
##### **THE STEPS LISTED BELOW ARE THE SOLE RESPONSIBILITY OF THE INSTALLING CONTRACTOR**

Remove the four (4) screws fastening the breaker and receptacle faceplate at the top of the unit and pivot the entire assembly outward to expose the back of the phone/CATV or internet jacks.

- a. Pull the phone line, CATV line and/or Ethernet line and make the appropriate terminations into each of the corresponding jacks.
- b. Carefully guide heat-shrink tubing over the lines and shrink the rubber tubing around the connections.
- c. Carefully guide the lines back into the housing and down through the base of the unit with non-metallic tubing. Re-fasten the circuit breaker and receptacle plate assembly back to the main housing.

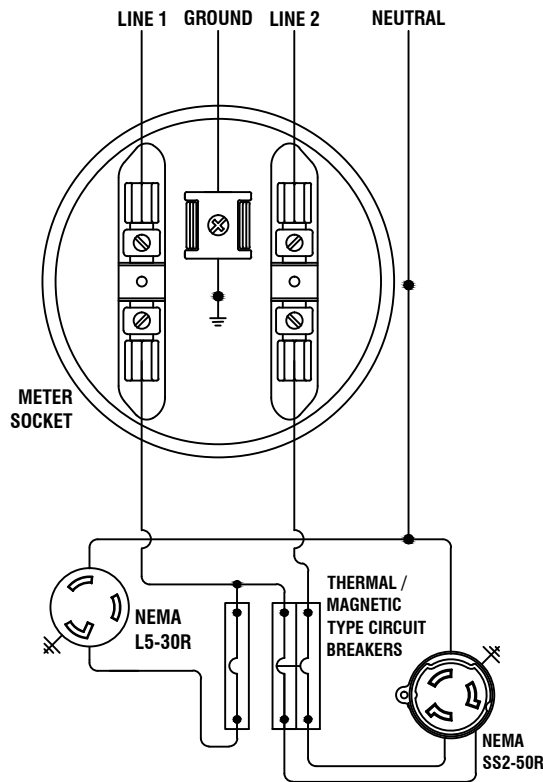


COMMUNICATIONS CONNECTIONS  
(SEE STEP 3 ABOVE)



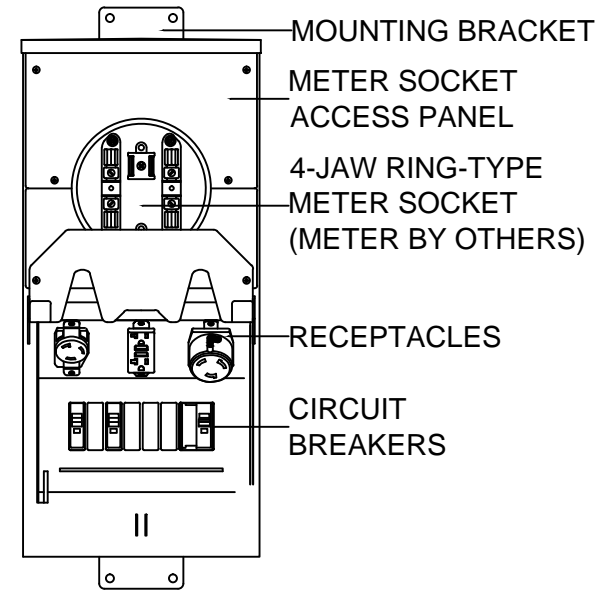
# Anchorage SS AN3050

## Installation, Maintenance, and Operation Manual



**TYPICAL WIRING DIAGRAM\***

*\*Varies based on receptacle and circuit breaker selection*



**FRONT VIEW w/  
DOOR OPEN**

*Specifications Subject to Change Without Notice*

### EXTERIOR MAINTENANCE:

Dirt, grime, bird droppings and insect residue can be removed by use of a mild degreasing solution mixture of one teaspoon per gallon of warm water. Gently scrub the housing exterior and rinse clean. Spiders and other insects can be controlled by use of a **WATER-BASED** insect spray.

**WARNING: DO NOT** use any petroleum or solvent-based insect spray or corrosion inhibiting products on any part of the power pedestal. These solvents will compromise the structural integrity of the polycarbonate material and cause stress cracking and material failure. Use of any such solvents will void the manufacturer's warranty.

### TOUCHING UP DAMAGED POWDER COAT

- 1) Scuff the area well with wet and dry 220-grit sandpaper.
- 2) Clean the area (dishwashing detergent and water) and allow to dry.
- 3) Shake the touch-up powder paint can vigorously for two to three minutes each time you are going to use it to paint.
- 4) Apply the paint in thin coats until you achieve the correct darkness of color. Apply the paint at approximately 8 inches from the surface. Allow each coat of paint to dry for at least 30 minutes before applying another coat. In most cases you can reach the desired color in three coats of paint. In rare cases you might require more than three coats of paint; if this is the case let the final coat dry for at least 24 hours before touching the surface.

# Anchorage SS AN3050

## Installation, Maintenance, and Operation Manual

### INTERIOR MAINTENANCE:

**WARNING:** Turn off or disconnect the power supplying this equipment before beginning work. This might require you to contact your local utility to disconnect the power to an existing panel board or disconnect. The line side of the main breaker in a panel board is energized unless power is disconnected upstream. Marina Electrical Equipment, Inc. will not assume any responsibility for property damage or personal injury resulting from misuse of the information in this manual.

#### 1. Annual Terminations Maintenance:

Remove the screws holding the meter socket access panel to the main housing. Remove the access panel to expose the **de-energized** terminations. The terminations should then be thoroughly examined for signs of excessive heating, loose and/or corroded connections, and any other sign of damage or wear. All loose or damaged connections need to be tightened or replaced.

#### 2. Annual Receptacle and Circuit Breaker Maintenance:

The receptacles and circuit breakers should be examined on an annual basis. If any sign of heating or corrosion is evident, the component should be replaced. For part replacement, simply remove the screws fastening the breaker plate and faceplate to the main housing and pivot the entire assembly outward. This will allow for full access to the receptacles and circuit breakers for maintenance or replacement.

### OPERATION:

#### 1. Connect Shore Power Cord to Vessel:

Insert the female end of the shore power cord into the vessel's power inlet connection. Twist the plug to lock on and tighten the locking plug retainer nut until the cord set is snug to the vessel.

#### 2. Connect Shore Power Cord to Power Pedestal:

With the circuit breakers in the OFF position, insert the shore power cord into the receptacle and twist the plug clockwise until it locks onto the receptacle.

#### 3. Turn the Circuit Breaker ON:

With both connections secured, turn the circuit breaker to the ON position. Check to see that the power indicator light on the vessel indicates a successful attachment of the shore power cord. A circuit breaker which trips under load indicates an issue with the vessel wiring and or equipment. Short circuits, overload and/or ground faults (if the power outlet panel is equipped with ground fault protective circuit breakers) will cause circuit breakers to trip, requiring the vessel's electrical system to be examined and repaired by a qualified electrician before the vessel can reconnect to the power pedestal.

For power outlet panels equipped with optional ground fault circuit breakers: if the breaker immediately trips upon inserting the shore power cord, the grounded (neutral) conductor and the equipment ground conductor are improperly bonded on the vessel. A qualified electrician must repair this faulty wiring/equipment before the vessel can reconnect to the power pedestal.

END OF SECTION

***Specifications Subject to Change Without Notice***

# Anchorage SS AN3050

## Installation, Maintenance, and Operation Manual

### **WARRANTY POLICY**

#### **Housings:**

Marina Electrical Equipment, Inc. (MEE) warrants that the main housing and attached parts (top, lens, doors, receptacle faceplates, circuit breaker plates, and mounting base plate) will be free from failure resulting from defects in material and/or workmanship, and are covered by a limited warranty of one (1) year. Should any of the above parts fail to comply with the above-mentioned warranty, MEE will either repair or replace the defective part(s), or credit the purchaser for the purchase price of the part. This warranty is voided if any petroleum-based solvent is used anywhere on or near any of the polycarbonate parts. These parts include, but may not be limited to: the top, lens, doors, receptacle faceplates, circuit breaker plates, terminal block, and the mounting base plate.

#### **Internal Components:**

MEE warrants that all internal electrical components shall be covered by a limited warranty of one (1) year. Items covered include: receptacles, circuit breakers, photocells, lamp holders, coil transformers, counters and wiring harnesses. Should any of the above parts fail to comply with this warranty policy, MEE will coordinate the repair or replacement of the defective part(s) with the respective supplier.

#### **Solid-State Electric kWh Monitors:**

MEE warrants that the International Intelligent Meter (IIM) solid-state electric kWh monitors will be free from failure resulting from defects in material and/or workmanship, and are covered for one (1) year. Although the IIM meters contain integrated surge protection, MEE and IIM will not warrant the product against severe over-voltage conditions such as lightning strikes or abnormal utility surges. Should an electric monitor fail to comply with the above-mentioned warranty, MEE will either repair or replace the defective part(s)/components, or credit the purchaser for the purchase price of the part. This warranty is voided if the damage to any or all of the components is the result of abuse, misuse, or Force Majeure. This warranty is voided if the factory seal is broken or manipulated.

This warranty policy does not cover damage or failure resulting from abuse, misuse, negligence or Force Majeure. All warranty claims must be made in writing and all defective products shall be returned to MEE for evaluation unless stated otherwise by MEE. MEE will not be responsible for reimbursing the purchaser for any sort of expense incurred by the purchaser as a result of the repair or replacement of a warranty claim.

Send all warranty claims to:

Marina Electrical Equipment, Inc.  
1715 Merrimac Trail  
Williamsburg, VA 23185  
Toll Free: 1-855-258-3939  
Fax: 757-258-3988

*Specifications Subject to Change Without Notice*

END OF SECTION