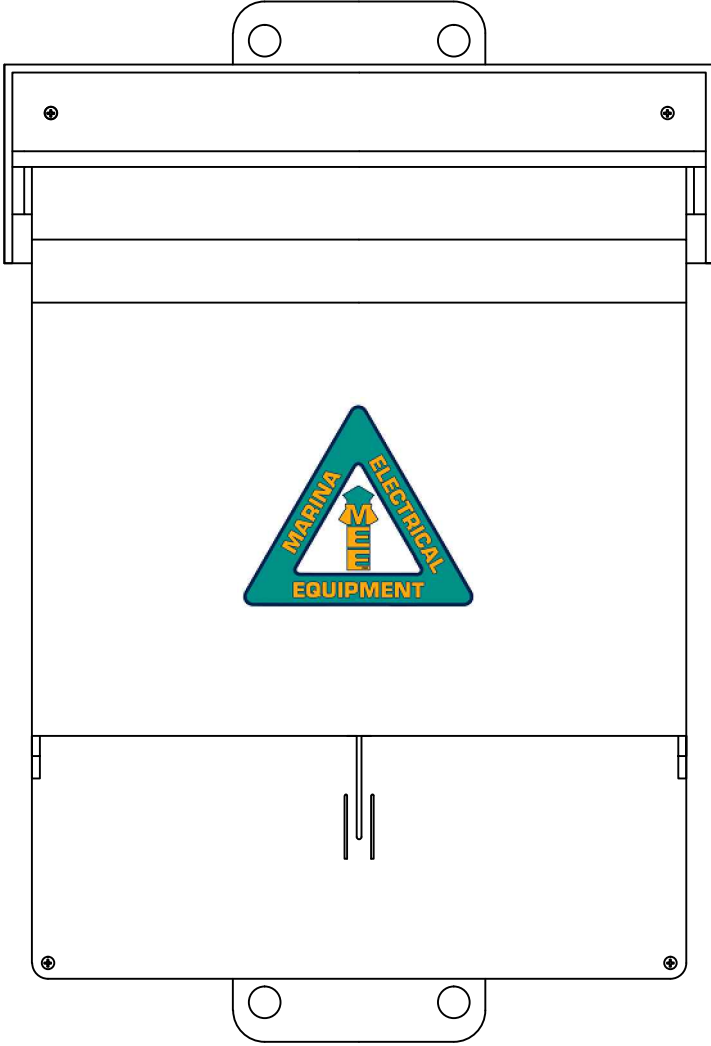


Marina Electrical Equipment  
LiftPower  
General Specifications



Marina Electrical Equipment, Inc.  
1715 Merrimac Trail  
Williamsburg, VA 23185  
Toll Free: 1-855-258-3939  
Fax: 1-757-258-3988



# General Specifications - LiftPower

## SECTION A: ACCEPTABLE MANUFACTURERS:

Marina Electrical Equipment, Inc.  
1715 Merrimac Trail  
Williamsburg, VA 23185  
Toll Free: 1-855-258-3939  
Web: [www.marinaee.com](http://www.marinaee.com)

## SECTION B: GENERAL REQUIREMENTS

1. LiftPower Boat Lift Control System shall be listed and marked, tested and certified to conform to Standard UL® 508 entitled "Industrial Control Equipment"

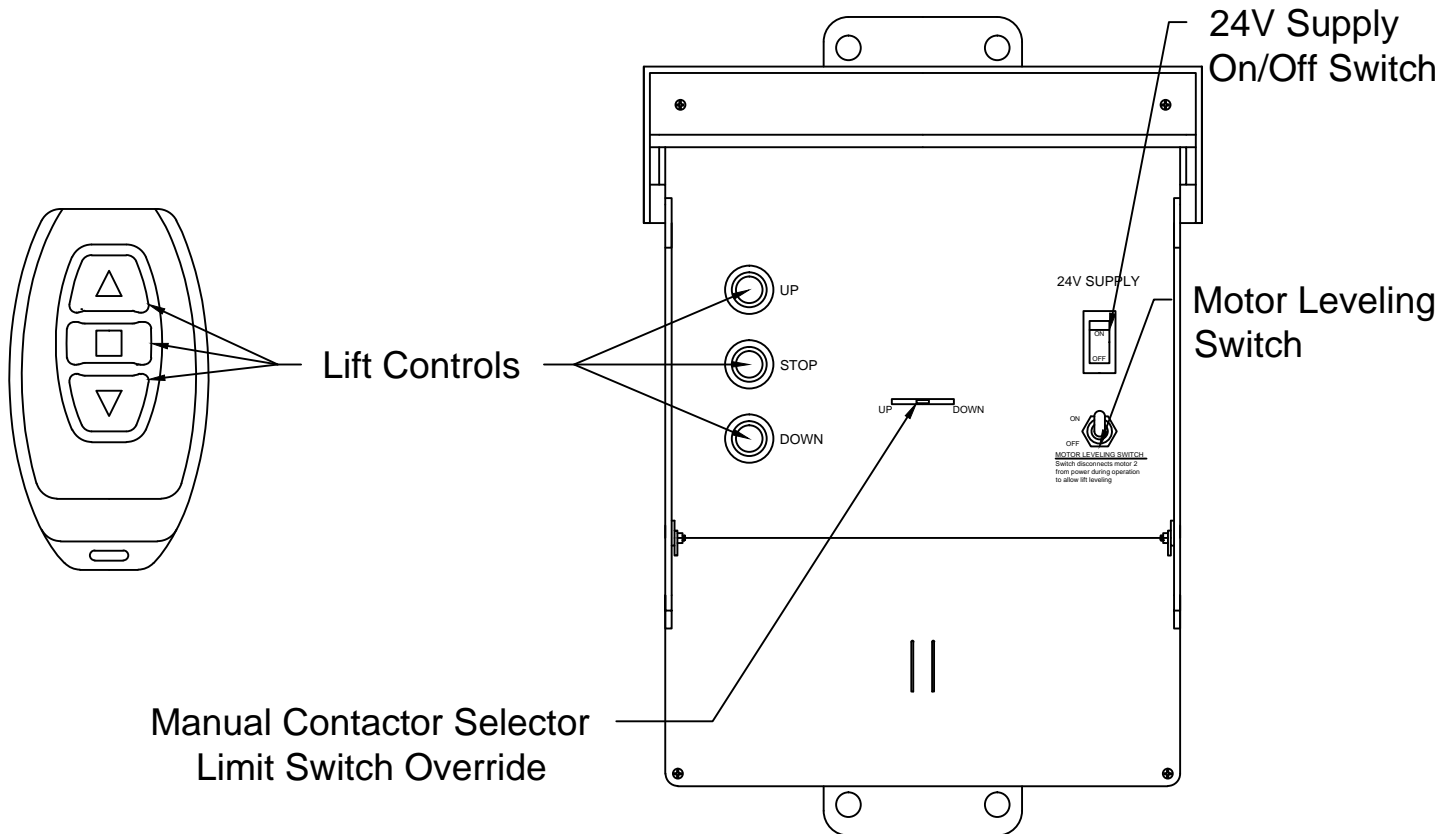
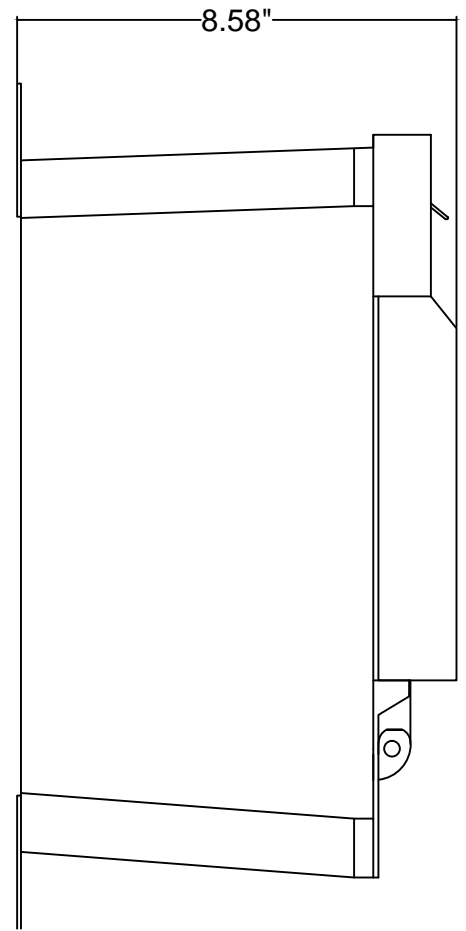
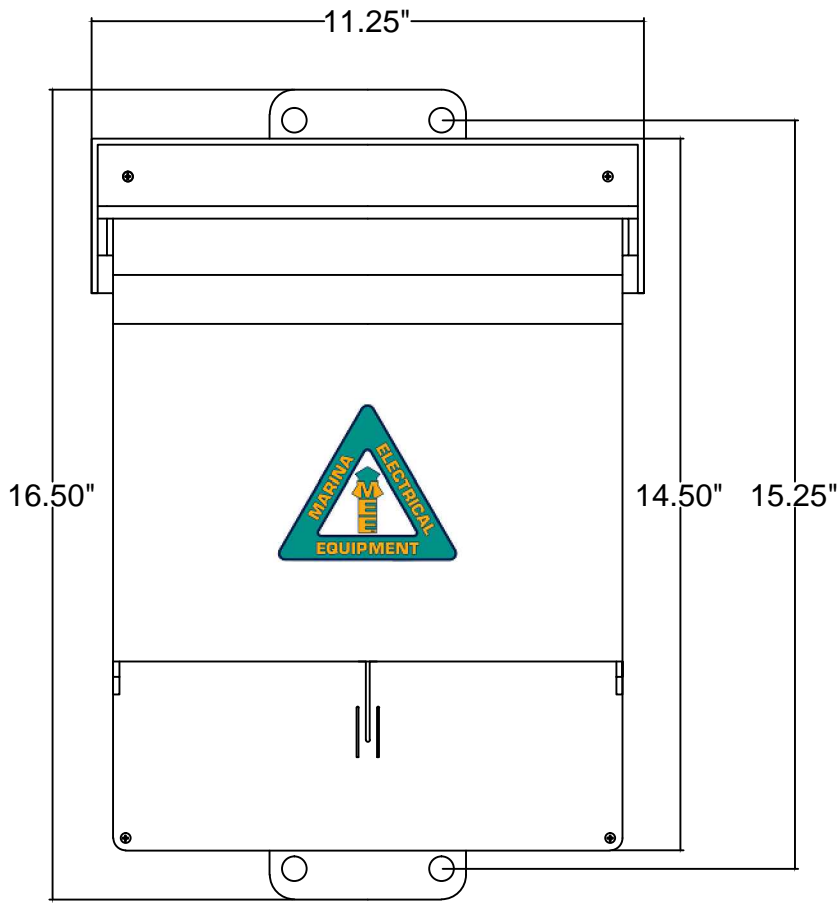
## SECTION C: CONSTRUCTION REQUIREMENTS

1. All high voltage components and surrounding materials used in the construction of the LiftPower shall be listed.
2. **Enclosure:** Shall be constructed of 3/16" thick injection-molded listed polycarbonate and shall be covered with a UV-resistant 2-part polyurethane coating. The housing shall be listed as a NEMA® Type 3RX weatherproof enclosure coated with a UV-resistant polyurethane coating, with no opening larger than 1/10".
3. **Mounting Brackets:** Shall be made from 5052 aluminum.
4. **Hardware:** Shall be stainless steel, Phillips® drive.
5. **Protection:** Shall be provided by listed, slow-blow, inline 250V Max. fuses, rated according to model specifications, on the incoming lines, as well as a 5 amp, 250V Max. fuse on the secondary side of the control transformer.

## SECTION D: WIRING, CONTACTORS & TERMINAL BLOCKS

1. Shall be completely factory pre-wired to the load side of the listed terminal block.
2. Electrical wiring shall be high-stranding tin-plated copper THHW/MTW VW-1 Boat Cable rated for 105°C.
3. Maximum wire size for incoming lines shall be maximum 6 AWG.
4. All exposed metallic parts shall be grounded as part of the integral equipment ground.
5. Contactors shall be listed and wiring connections shall be made using 1/4" quick connect blade terminals.

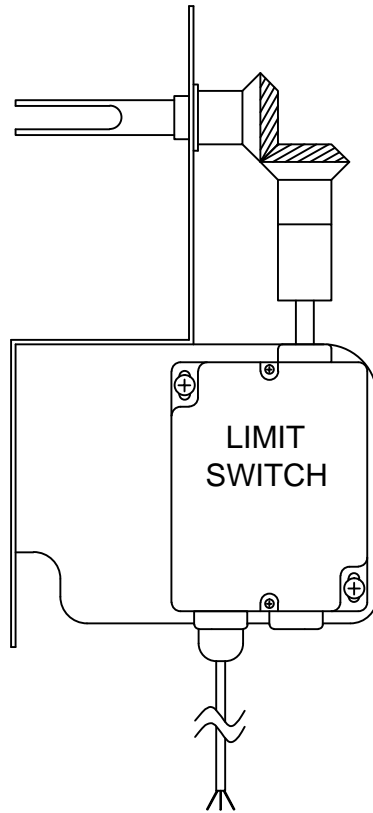
END OF SECTION



# General Specifications - LiftPower

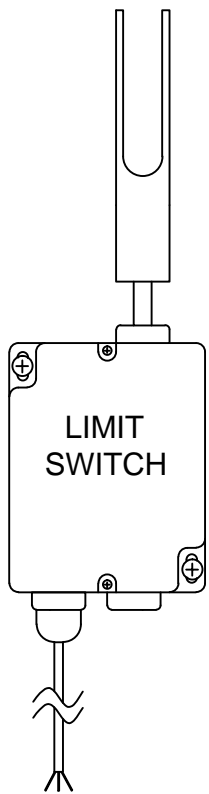
## Limit Switch Types

FDLS



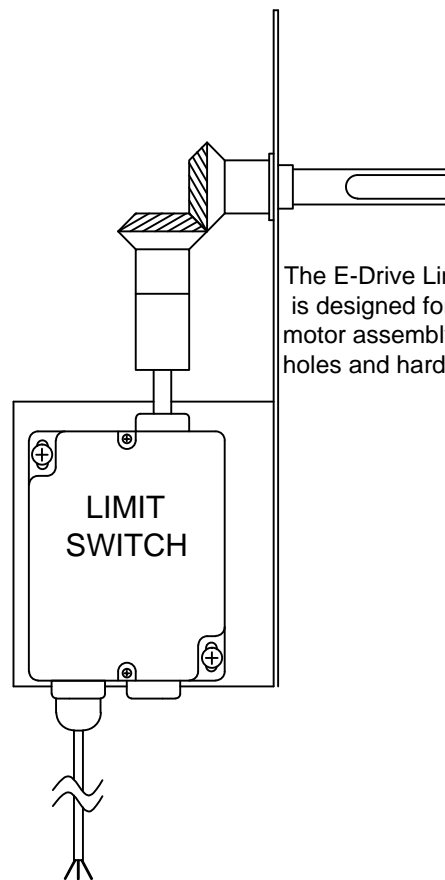
The Flat Plate Drive Limit Switch is designed for Flat Plate Drive type boat lifts produced by a number of different manufacturers and is mounted under the protective covering.

RDLS



Rotary Drive Limit Switches fit a variety of boat lift types by attaching to the boat lift shaft away from the motor assembly when a mounting point is available.

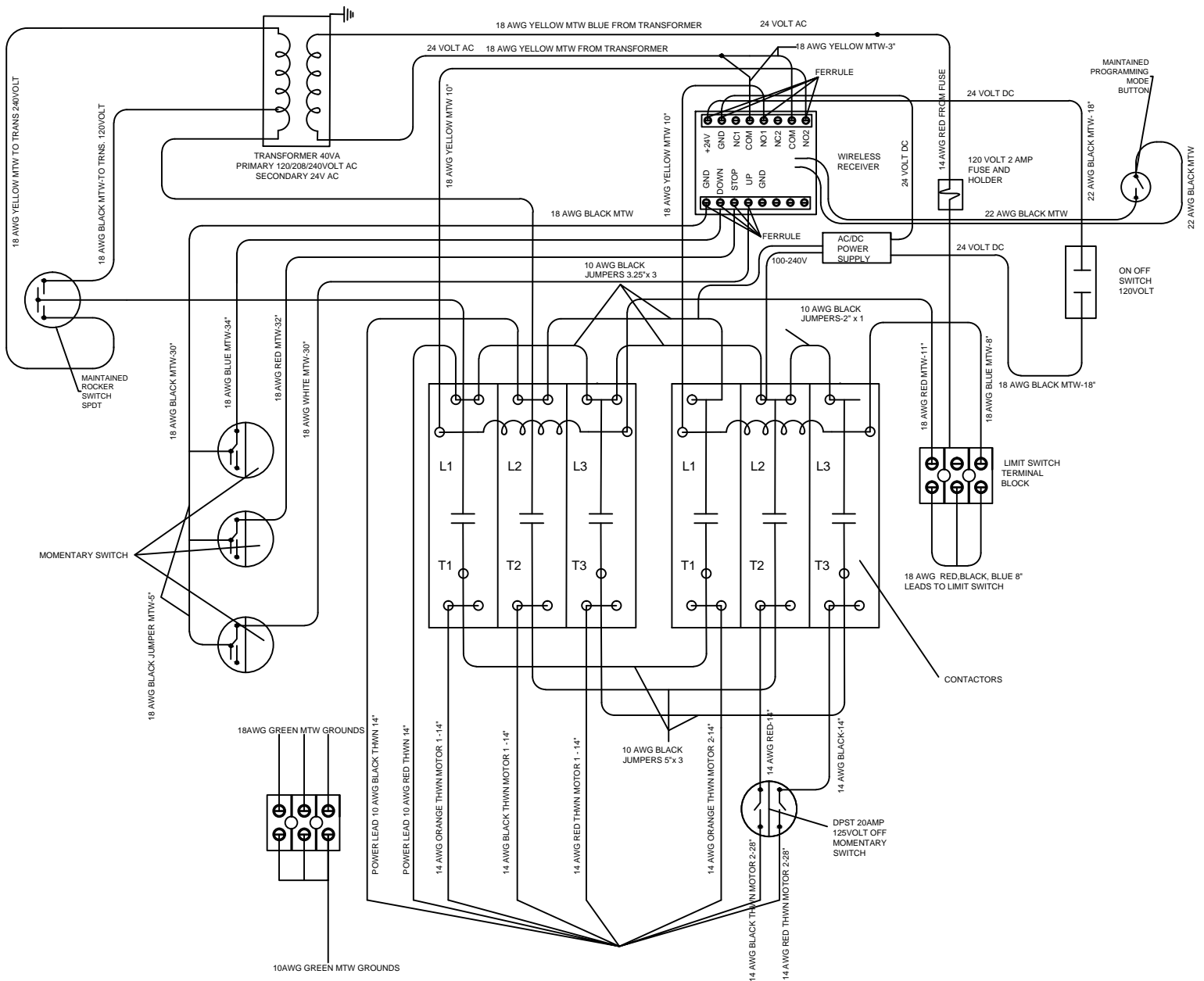
FDLS



The E-Drive Limit Switch is designed for the AMS Type E-Drive motor assembly with proper mounting holes and hardware.

# General Specifications - LiftPower

## Electrical Wiring Diagram

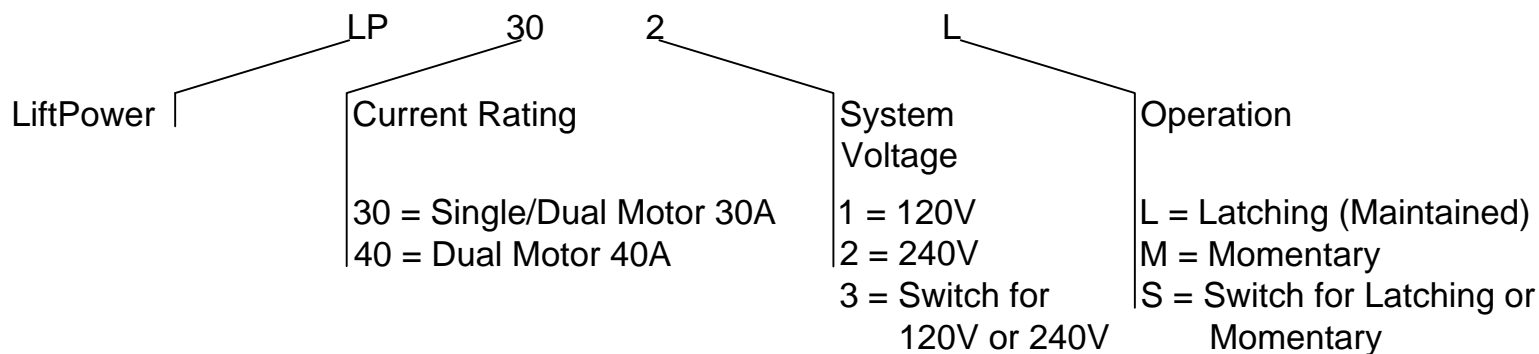


Specifications Subject to Change Without Notice

END OF SECTION

# General Specifications - LiftPower

## Model Number Structure



### WARRANTY POLICY

#### Housings:

Marina Electrical Equipment, Inc. (MEE) warrants that the main housing and attached parts (faceplate, access panel, door and mounting flanges) will be free from failure resulting from defects in material and/or workmanship, and are covered by a limited warranty of one (1) year. Should any of the above parts fail to comply with the above-mentioned warranty, MEE will either repair or replace the defective part(s), or credit the purchaser for the purchase price of the part. This warranty is voided if any petroleum-based solvent is used anywhere on or near any of the polycarbonate parts.

#### Internal Components:

MEE warrants that the LiftPower will be free from failure resulting from defects in material and/or workmanship, and are covered for one (1) year. Severe over-voltage conditions such as lightning strikes or abnormal utility surges are not covered. Should a unit fail to comply with the above-mentioned warranty, MEE will either repair or replace the defective part(s)/components, or credit the purchaser for the purchase price of the part. This warranty is voided if the damage to any or all of the components is the result of abuse, misuse, or Force Majeure. This warranty is voided if the factory seal is broken or manipulated.

This warranty policy does not cover damage or failure resulting from abuse, misuse, negligence or Force Majeure. All warranty claims must be made in writing and all defective products shall be returned to MEE for evaluation unless stated otherwise by MEE. MEE will not be responsible for reimbursing the purchaser for any sort of expense incurred by the purchaser as a result of the repair or replacement of a warranty claim.

Send all warranty claims to:

Marina Electrical Equipment, Inc.  
1715 Merrimac Trail  
Williamsburg, VA 23185  
Toll Free: 1-855-258-3939  
Fax: 757-258-3988

*Specifications Subject to Change Without Notice*

END OF SECTION